

ROTEL *hiFi*

RD-960BX

Stereo Cassette Tape Deck

Technical Manual

TABLE OF CONTENTS

Specifications	1
Chassis Layout.....	1
Adjustment.....	2
PC Board Ass'y Parts List	4
Printed Circuit Boards	7
Wiring Diagram	9
Schematic Diagram	10
Disassembly Diagram.....	12

THE ROTEL CO., LTD.

1-36-8, OHOKAYAMA, MEGURO-KU, TOKYO 152, JAPAN

ROTEL ELECTRONICS CO., LTD.

3F-2, NO.35, FU HSING NORTH ROAD, TAIPEI, TAIWAN, REPUBLIC OF CHINA

MN20002255

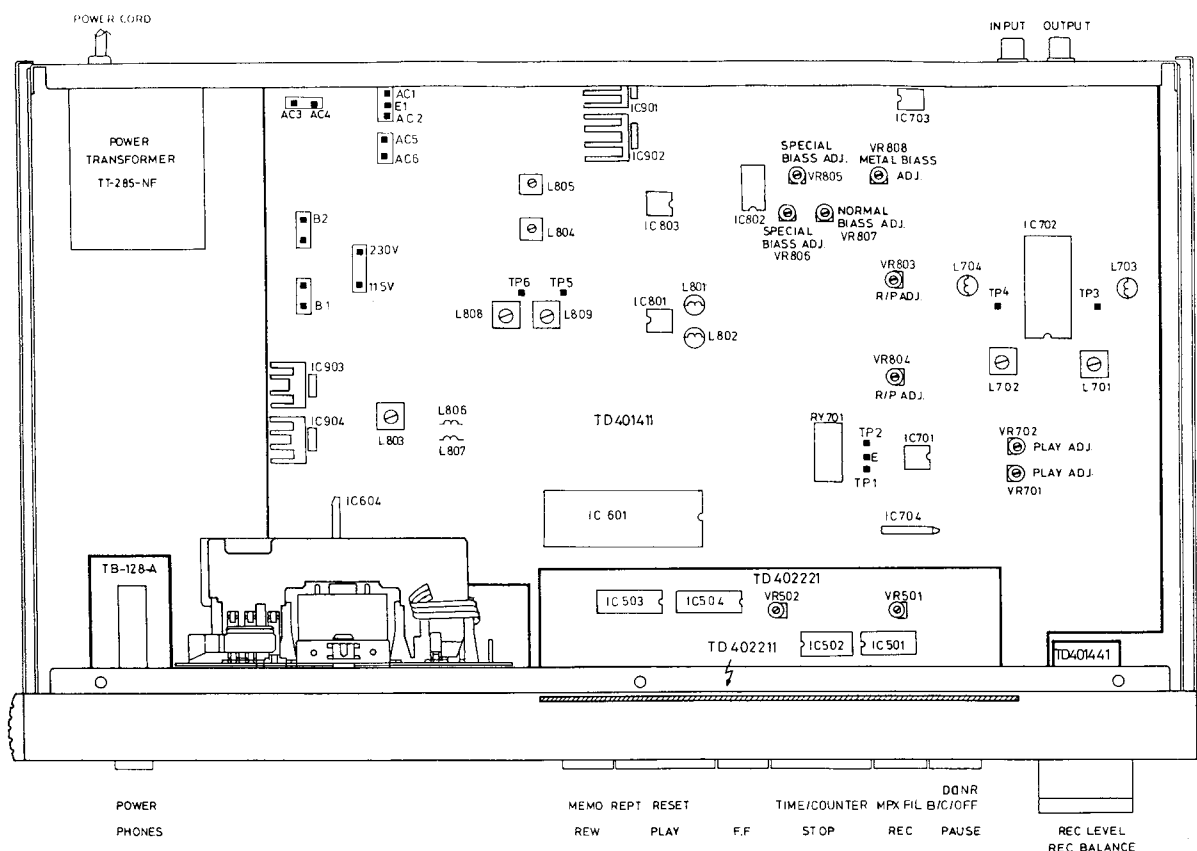
SPECIFICATIONS

RD 960BX COMPACT CASSETTE DECK

Frequency Response	30-18,000 Hz \pm 3 dB (Type 4) 30-17,000 Hz \pm 3 dB (Type 2) 30-16,000 Hz \pm 3 dB (Type 1)
Wow and Flutter	0.035 % wrms, 0.1% DIN
Motor	Electronic governor type
Tape Speed	4.8 cm / sec.
Tracks	4 Track / 2 channel
Signal to Noise Ratio (Wtd, 0 dB, CrO ₂ tape)	55 dB NR Off 65 dB Dolby B NR 74 dB Dolby C NR
Total Harmonic Distortion (Rec/Play 400 Hz, 0 dB)	0.9% (Type 4)
Input Sensitivity/Impedance	50 mV / 33 kohms
Output Level/Impedance	740 mV / 1.5 kohms
Power Requirements	115 volts AC 50/60 Hz 230 volts AC 50/60 Hz
Power Consumption	30 watts
Weight	6.0 Kgs / 13.2 Lbs
Dimensions	440mm (W) x 121mm (H) x 329 mm (D) 17-3/8" (W) x 4-13/16" (H) x 13" (D)

- All specifications are accurate at the time of printing. Rotel reserves the right to make improvements without notice.
- Dolby Noise Reduction and HX PRO headroom extension manufactured under license from Dolby Laboratories Licensing Corporation.
- HX PRO originated by Bang and Olufsen. "Dolby", the double-D symbol, and "HX PRO" are trademarks of Dolby Laboratories Licensing Corporation.

Chassis Layout



Playback System Adjustment

Instruments: Oscilloscope, AC VTVM, Frequency Counter and Test Tape.
 Conditions : Oscilloscope, AC VTVM, Frequency Counter---LINE OUT
 Dolby NR---OFF

Adjustment Item	Test Tape	Adjust	Adjust for
Azimuth	MTT-114N	REC/PB Head Screw	Obtain largest wave form on Oscilloscope for both channels.
Dolby Level	MTT-150	VR701 VR702	AC VTVM reads 245mV at TP3, TP4.
Playback EQ Check	TCC-284N	Output level difference between 1kHz and 10kHz signal is within +/- 3.0dB.	
Tape Speed Deflection Check / Tape Speed Adjust	MTT-111N	Check that allowable margin of deflecting at middle of or at the end of winding is in the range of +2% -1% (at 3,000 Hz allowable margin of deflection of speed is 3,060-2,970) If Tape Speed deflection surpasses the above range adjust speed of Motor.	

Recording System Adjustment

Instruments: Oscilloscope, Signal Generator, AC VTVM and Blank Tape
 Conditions : Dolby NR---OFF REC---Maximum

Adjustment Item	Coupling	Tape Selector	Adjust	Adjust for
Bias Carrier	Oscilloscope---point TP5, TP6	METAL	L809 (L-CH) L808 (R-CH)	Obtain Min. deflection on the Oscilloscope
19 kHz Filter	S.G.(400Hz 0dB) LINE IN /LINE OUT---700mV Changed S.G. to 19kHz Dolby NR-----OFF REC level----Max.	NORMAL	L701 (L-CH) L702 (R-CH)	AC VTVM reads 30dB (Minimum)
Bias Voltage	Oscilloscope---point TP1, TP2	METAL	VR807	AC VTVM reads 9.5mV
		SPECIAL	VR805(L-CH) VR806(R-CH)	AC VTVM reads 6.5mV
		NORMAL	VR808	AC VTVM reads 4.0mV

REC / PB System Adjustment

Instruments: Signal Generator, H.D.Analyzer and Blank Tape.

Conditions : Dolby NR---OFF REC Level---MAX.

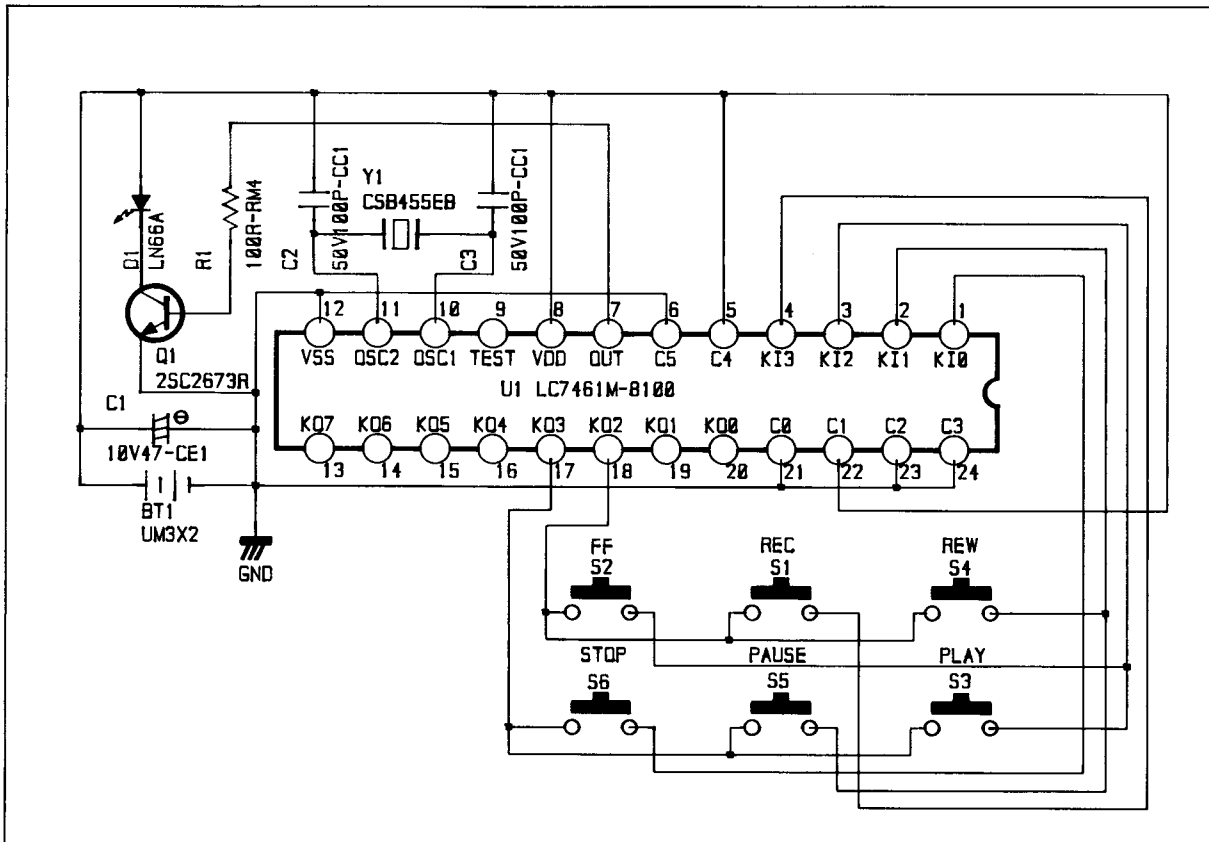
PLAY, REC, PAUSE---ON

Blank Tape : METAL---AC712, SPECIAL---AC513, NORMAL---AC224

Adjustment	Conditions	Adjust	Adjust for
REC / PB Output Level	S.G. (400Hz 0dB) LINE IN / LINE OUT---700mV Push PLAY Button and playback it again	VR803(L-CH) VR804(R-CH)	Recording and Playback level difference must be within +/- 1dB
Distortion Check	S.G. (400Hz 0dB) LINE IN / LINE OUT---700mV H.D.Analyzer--LINE OUT Push PLAY Button and playback it again	Check that distortion is within following range. a.METAL Tape----- under 3.0% b.SPECIAL Tape----- under 3.0% c.NORMAL Tape----- under 2.0%	
	If the distortion factor exceeds the above, recheck Bias Voltage Adjustment.		
Frequency Response Check	METAL Tape insert it	VR708	30Hz--17kHz +/- 3dB
	SPECIAL Tape insert it	VR706	30Hz--16kHz +/- 3dB
	NORMAL Tape insert it	VR707	30Hz--16kHz +/- 3dB

REMOTE CONTROL HANDSET

SCHEMATIC DIAGRAM MODEL NO. RR-926



Parts List

NOTE: THE COMPONENTS INDENTIFIED BY Δ MARK ARE FOR SAFFTY. REPLACE ONLY WITH ORIGINAL PARTS. DO NOT SUBSTITUTE.

SYMBOL	PARTS NO.	DESCRIPTION
	TD401411	PCB ASSEMBLY
R601, 602	RM51002810	R, METAL 10K 1/4W F
R605-607	RM53321814	R, METAL 3.32K 1/4W F
R608, 609	RM52212811	R, METAL 22.1 1/4W F
R610, 611	RM51002810	R, METAL 10K 1/4W F
R612	RM54751816	R, METAL 4.75K 1/4W F
R613	RM52212811	R, METAL 22.1K 1/4W F
R614-616	RM51001816	R, METAL 1K 1/4W F
R617, 618	RM54752810	R, METAL 47.5K 1/4W F
R619, 620	RM51002810	R, METAL 10K 1/4W F
R621, 622	RM51000812	R, METAL 100 1/4W F
R623, 624	RM55621813	R, METAL 5.62K 1/4W F
R625, 626	RM51002810	R, METAL 10K 1/4W F
R627	RM51003813	R, METAL 100K 1/4W F
R628	RM51004817	R, METAL 1M 1/4W F
R629-635	RM51002810	R, METAL 10K 1/4W F
R637, 638	RM51502817	R, METAL 15K 1/4W F
R701, 702	RM51009815	R, METAL 10 1/4W F
R703, 704	RM51003813	R, METAL 100K 1/4W F
R705, 706	RM52211818	R, METAL 2.21K 1/4W F
R707, 708	RM51003813	R, METAL 100K 1/4W F
R709, 710	RM53321814	R, METAL 3.32K 1/4W F
R711, 712	RM54759815	R, METAL 47.5 1/4W F
R713, 714	RM52741819	R, METAL 2.74K 1/4W F
R715, 716	RM52213815	R, METAL 221K 1/4W F
R717-720	RM51001816	R, METAL 1K 1/4W F
R721, 722	RM51002810	R, METAL 10K 1/4W F
R723, 724	RM54752810	R, METAL 47.5K 1/4W F
R725, 726	RM52211818	R, METAL 2.21K 1/4W F
R727, 728	RM51002810	R, METAL 10K 1/4W F
R729, 730	RM55621813	R, METAL 5.62K 1/4W F
R731, 732	RM51002810	R, METAL 10K 1/4W F
R733, 734	RM54320817	R, METAL 432 1/4W F
R735, 736	RM56811816	R, METAL 6.81K 1/4W F
R737, 738	RM55111811	R, METAL 5.11K 1/4W F
R739, 740	RM56810812	R, METAL 681 1/4W F
R741, 742	RM52431818	R, METAL 2.43K 1/4W F
R743, 744	RM51502817	R, METAL 15K 1/4W F
R745	RM51003813	R, METAL 100K 1/4W F
R746	RM51002810	R, METAL 10K 1/4W F
R747	RM55621813	R, METAL 5.62K 1/4W F
R748, 749	RM54752810	R, METAL 47.5K 1/4W F
R750, 751	RM52211818	R, METAL 2.21K 1/4W F
R752	RM53321814	R, METAL 3.32K 1/4W F
R753	RM53321814	R, METAL 3.32K 1/4W F
R754, 755	RM54753813	R, METAL 475K 1/4W F
R756, 757	RM51003813	R, METAL 100K 1/4W F
R758, 759	RM54752810	R, METAL 47.5K 1/4W F
R760, 761	RM51500810	R, METAL 150 1/4W F
R762, 763	RM52212811	R, METAL 22.1K 1/4W F
R764	RM51000812	R, METAL 100 1/4W F
R765	RM51001816	R, METAL 1K 1/4W F
R766	RM51002810	R, METAL 10K 1/4W F
R767	RM55622817	R, METAL 56.2K 1/4W F
R768	RM58251814	R, METAL 8.25K 1/4W F
R769	RM51002810	R, METAL 10K 1/4W F
R770	RM51003813	R, METAL 100K 1/4W F
R771	RM58250810	R, METAL 825 1/4W F
R772	RM51002810	R, METAL 10K 1/4W F
R773	RM58252818	R, METAL 82.5K 1/4W F
R774	RM51002810	R, METAL 10K 1/4W F
R775	RM52210814	R, METAL 221 1/4W F
R776	RM51003813	R, METAL 100K 1/4W F
R777	RM56811816	R, METAL 6.81K 1/4W F
R778	RM51001816	R, METAL 1K 1/4W F
R779	RM51003813	R, METAL 100K 1/4W F
R780	RM51503810	R, METAL 150K 1/4W F
R781	RM51001816	R, METAL 1K 1/4W F
R782	RM51002810	R, METAL 10K 1/4W F

SYMBOL	PARTS NO.	DESCRIPTION
R783	RM58251814	R, METAL 8.25K 1/4W F
R784	RM51213819	R, METAL 121K 1/4W F
R785	RM51213819	R, METAL 121K 1/4W F
R786	RM58251814	R, METAL 8.25K 1/4W F
R787	RM51002810	R, METAL 10K 1/4W F
R788	RM51002810	R, METAL 10K 1/4W F
R789	RM51000812	R, METAL 100 1/4W F
R790	RM54751816	R, METAL 4.75K 1/4W F
R801-806	RM51001816	R, METAL 1K 1/4W F
R807, 808	RM54752810	R, METAL 47.5K 1/4W F
R809, 810	RM57501811	R, METAL 7.5K 1/4W F
R811, 812	RM54752810	R, METAL 47.5K 1/4W F
R813, 814	RM52211818	R, METAL 2.21K 1/4W F
R815, 816	RM51003813	R, METAL 100K 1/4W F
R817, 818	RM53921817	R, METAL 3.92K 1/4W F
R819, 820	RM54752810	R, METAL 47.5K 1/4W F
R821, 822	RM53312814	R, METAL 3.32K 1/4W F
R823, 824	RM54751816	R, METAL 4.75K 1/4W F
R825-828	RM52213815	R, METAL 221K 1/4W F
R829, 830	RM52211818	R, METAL 2.21K 1/4W F
R831, 832	RM51330812	R, METAL 133 1/4W F
R833-836	RM52211818	R, METAL 2.21K 1/4W F
R837, 838	RM58251814	R, METAL 8.25K 1/4W F
R839	RM53329813	R, METAL 33.2K 1/4W F
R840, 841	RM51502817	R, METAL 15K 1/4W F
R842	RM51829818	R, METAL 18.2 1/4W F
R843, 844	RM53329813	R, METAL 33.2 1/4W F
R845	RM54752810	R, METAL 47.5 1/4W F
R846	RM51001816	R, METAL 1K 1/4W F
R847	RM51003813	R, METAL 10K 1/4W F
R848	RM58251814	R, METAL 8.25K 1/4W F
R849, 850	RM51001816	R, METAL 1K 1/4W F
R851, 852	RM55629812	R, METAL 56.2 1/4W F
R853, 854	RM54751816	R, METAL 4.75K 1/4W F
R855, 856	RM53923814	R, METAL 392K 1/4W F
R857, 858	RM51503810	R, METAL 150K 1/4W F
R859, 860	RM52212811	R, METAL 22.1K 1/4W F
R861, 862	RM51001816	R, METAL 1K 1/4W F
R863, 864	RM56811816	R, METAL 6.81K 1/4W F
R865, 866	RM51003813	R, METAL 100K 1/4W F
R867, 868	RM54751816	R, METAL 4.75K 1/4W F
R869	RM56811816	R, METAL 6.81K 1/4W F
R870	RM51003813	R, METAL 100K 1/4W F
R871	RM53322818	R, METAL 33.2K 1/4W F
R872	RM51502817	R, METAL 15K 1/4W F
R873	RM51003813	R, METAL 100K 1/4W F
R874, 875	RM52211818	R, METAL 2.21K 1/4W F
R876	RM51002810	R, METAL 10K 1/4W F
R877, 878	RM53329813	R, METAL 33.2 1/4W F
R879	RM53320810	R, METAL 332 1/4W F
R880	RM51502817	R, METAL 15K 1/4W F
R901	RM93300123	R, METAL 330 1W J
R902	RM53321814	R, METAL 3.32K 1/4W F
R903	RM52740815	R, METAL 274 1/4W F
R904	RM51001816	R, METAL 1K 1/4W F
R905	RM54751816	R, METAL 4.75K 1/4W F
C601	CC01008458	CAP, CERAMIC 0.1uF 50V
C602	CN01007507	CAP, NON-POLARIZED NP 1uF 50V
C603	CE44708504	CAP, ELEC. 0.47uF 50V
C604, 605	CC42212433	CAP, CERAMIC 22P 50V
C606	CE03304162	CAP, ELEC. 3300uF 16V Δ
C701, 702	CS43611416	CAP, STYROL 360P 50V
C703, 704	CE71005259	CAP, ELEC. 100uF 25V
C705, 706	CE41005166	CAP, ELEC. 100uF 16V
C707, 708	CM13909428	CAP, MYLAR 393J 50V
C709, 710	CL32207454	CAP, LOW NOISE U50V2R2LN
C711, 712	CM12709420	CAP, ELEC. 273J 50V
C713, 714	CL34707259	CAP, LOW NOISE U25V4R7LN
C715, 716	CM14710425	CAP, MYLAR 472J 50V
C717, 718	CE44708504	CAP, ELEC. 0.47uF 50V

Parts List

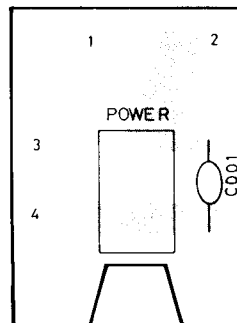
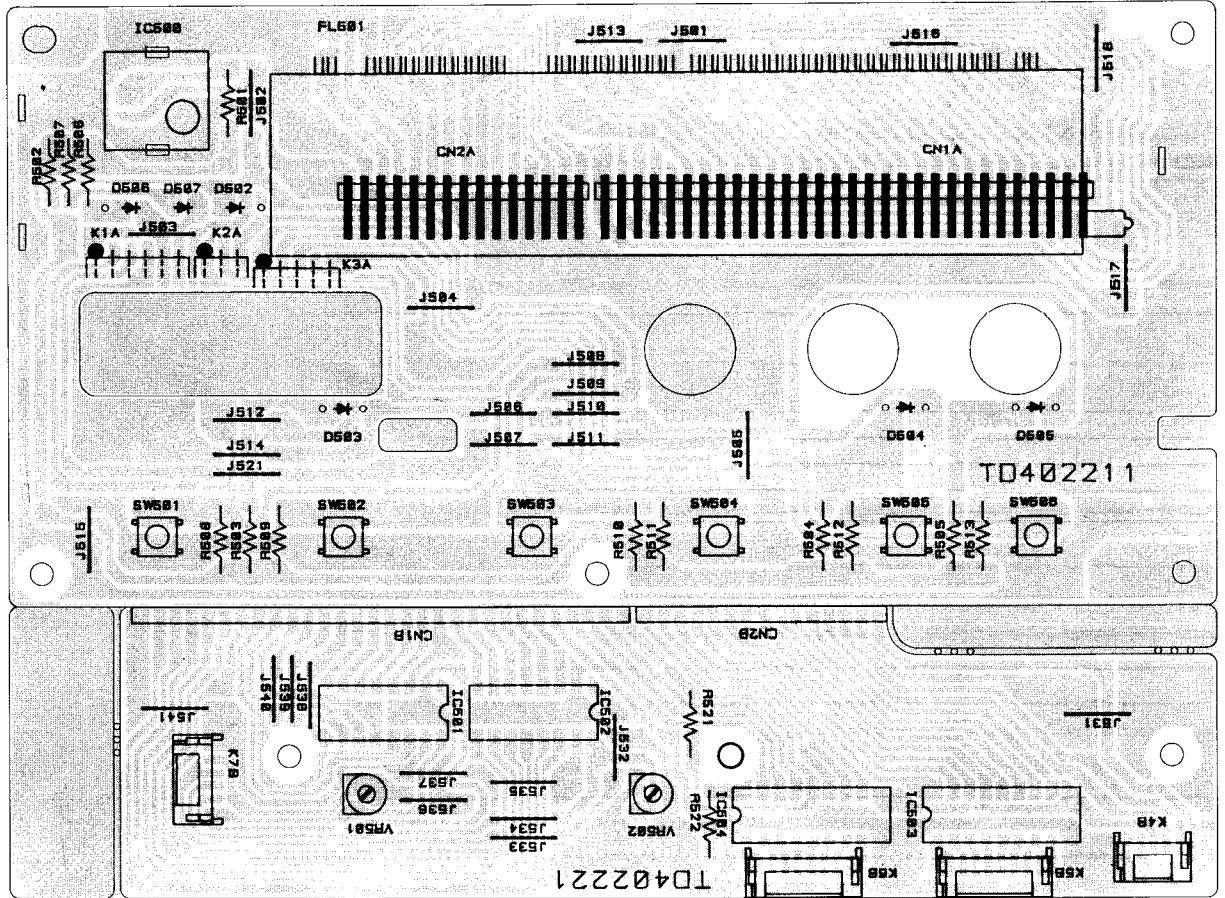
SYMBOL	PARTS NO.	DESCRIPTION
C719, 720	CE01508256	CAP, ELEC. 0.15uF 25V
C721, 722	CE42208504	CAP, ELEC. 0.22uF 50V
C723, 724	CM16809421	CAP, MYLAR 683J 50V
C725, 726	CM14709423	CAP, MYLAR 473J 50V
C727, 728	CM16810423	CAP, MYLAR 682J 50V
C729, 730	CM11009426	CAP, MYLAR 103J 50V
C731, 732	CM11509423	CAP, MYLAR 153J 50V
C733, 734	CM13010420	CAP, MYLAR 302J 50V
C735, 736	CC46811438	CAP, CERAMIC 680P 50V
C737, 738	CM13310427	CAP, MYLAR 332J 50V
C739	CE44707500	CAP, ELEC. 4.7uF 50V
C740, 741	CE02205164	CAP, ELEC. 220uF 16V
C742, 743	CL31006258	CAP, LOW NOISE U25V10LN
C744, 745	CE41006500	CAP, ELEC. 10uF 50V
C746, 747	CE41005166	CAP, ELEC. 100uF 16V
C748, 749	CM11009426	CAP, MYLAR 103J 50V
C750, 751	CE41005166	CAP, ELEC. 100uF 16V
C752	CE41005166	CAP, ELEC. 100uF 16V
C753	CE44707500	CAP, ELEC. 4.7uF 50V
C754	CM12209423	CAP, MYLAR 223J 50V
C755	CE41006500	CAP, ELEC. 10uF 50V
C756	CE41007503	CAP, ELEC. 1uF 50V
C757	CE41006500	CAP, ELEC. 10uF 50V
C758	CE41006500	CAP, ELEC. 10uF 50V
C759, 760	CE44706167	CAP, ELEC. 47uF 16V
C762	CE04705164	CAP, ELEC. 470uF 16V
C763, 764	CS42211420	CAP, STYROL 220P 50V
C761	CE44707500	CAP, ELEC. 4.7uF 50V
C801, 802	CL34707259	CAP, LOW NOISE U25V4R7LN
C803, 804	CC01008485	CAP, CERAMIC 0.1uF 50V
C805, 806	CM18210423	CAP, MYLAR 882J 50V
C807, 808	CE44708504	CAP, ELEC. 0.47uF 50V
C809, 810	CL34707259	CAP, LOW NOISE U25V4R7LN
C811, 812	CE41006500	CAP, ELEC. 10uF 50V
C813, 814	CM12009422	CAP, MYLAR 203J 50V
C817	CP01210229	CAP, POLYPROPYLENE 122J 250V
C818	CN01007507	CAP, NON-POLARIZEDNP 1uF 50V
C819	CE41007503	CAP, ELEC. 1uF 50V
C820, 821	CE41005166	CAP, ELEC. 100uF 16V
C822	CM11509423	CAP, MYLAR 153J 50V
C823	GM11009426	CAP, MYLAR 103J 50V
C824	CM01810422	CAP, MYLAR 182J 50V
C825, 826	CS41511327	CAP, STYROL 150P 250V
C827, 828	CM11008422	CAP, MYLAR 104J 50V
C829, 830	CS44711327	CAP, STYROL 470P 250V
C831, 832	CS42711324	CAP, STYROL 270P 250V
C833, 834	CC71011422	CAP, CERAMIC RT-HE50TKSL101J
C835, 836	CE41005166	CAP, ELEC. 100uF 16V
C837, 838	CM11009426	CAP, MYLAR 103J 50V
C839, 840	CM12208420	CAP, MYLAR 224J 50V
C841, 842	CC74711420	CAP, CERAMIC RT-HE90TKSL471J
C845	CM01810422	CAP, MYLAR 182J 50V
C901-908	CC01009256	CAP, CERAMIC 0.01uF 250V Δ
C909, 910	CE04705358	CAP, ELEC. 470uF 35V
C911	CE02204251	CAP, ELEC. 2200uF 25V Δ
C912	CE41005567	CAP, ELEC. 100uF 35V
C913, 914	CE02205255	CAP, ELEC. 220uF 25V
C915	CE04705164	CAP, ELEC. 470uF 16V
C916	CE02205164	CAP, ELEC. 220uF 16V
C917	CE41005567	CAP, ELEC. 100uF 35V
C918	CE44706568	CAP, ELEC. 47uF 35V
C923	CE41005257	CAP, ELEC. 100uF 25V
C926	CE41006500	CAP, ELEC. 10uF 50V
VR701, 702	RV20000478	R, SEMI-FIXED RH0615C47300
VR803, 804	RV20000478	R, SEMI-FIXED RH0615C47300
VR805-807	RV20000442	R, SEMI-FIXED RH0615C22300
VR808	RV20000430	R, SEMI-FIXED RH0615C10300
RY701	LY00000253	RELAY RY-12W-OH-KJ Δ
JK701	JPO4000102	4P PIN JACK 4TR-2167#1
L701, 702	LC23700000	COIL, MPX FILTER TRL-370

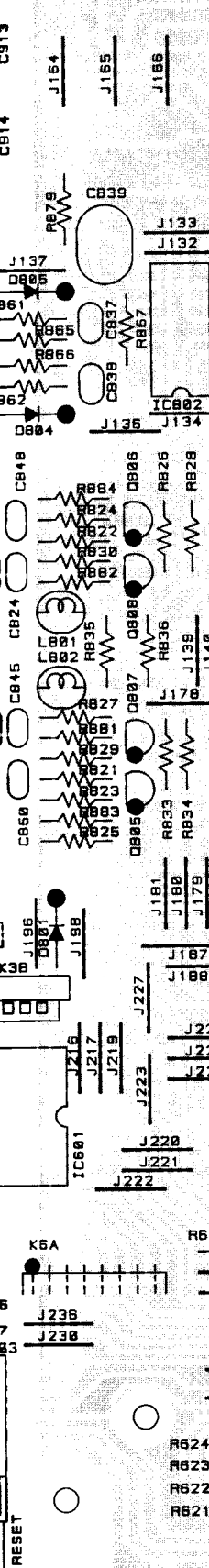
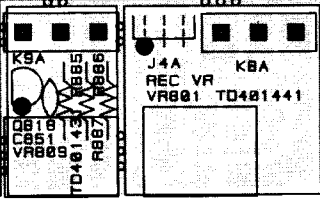
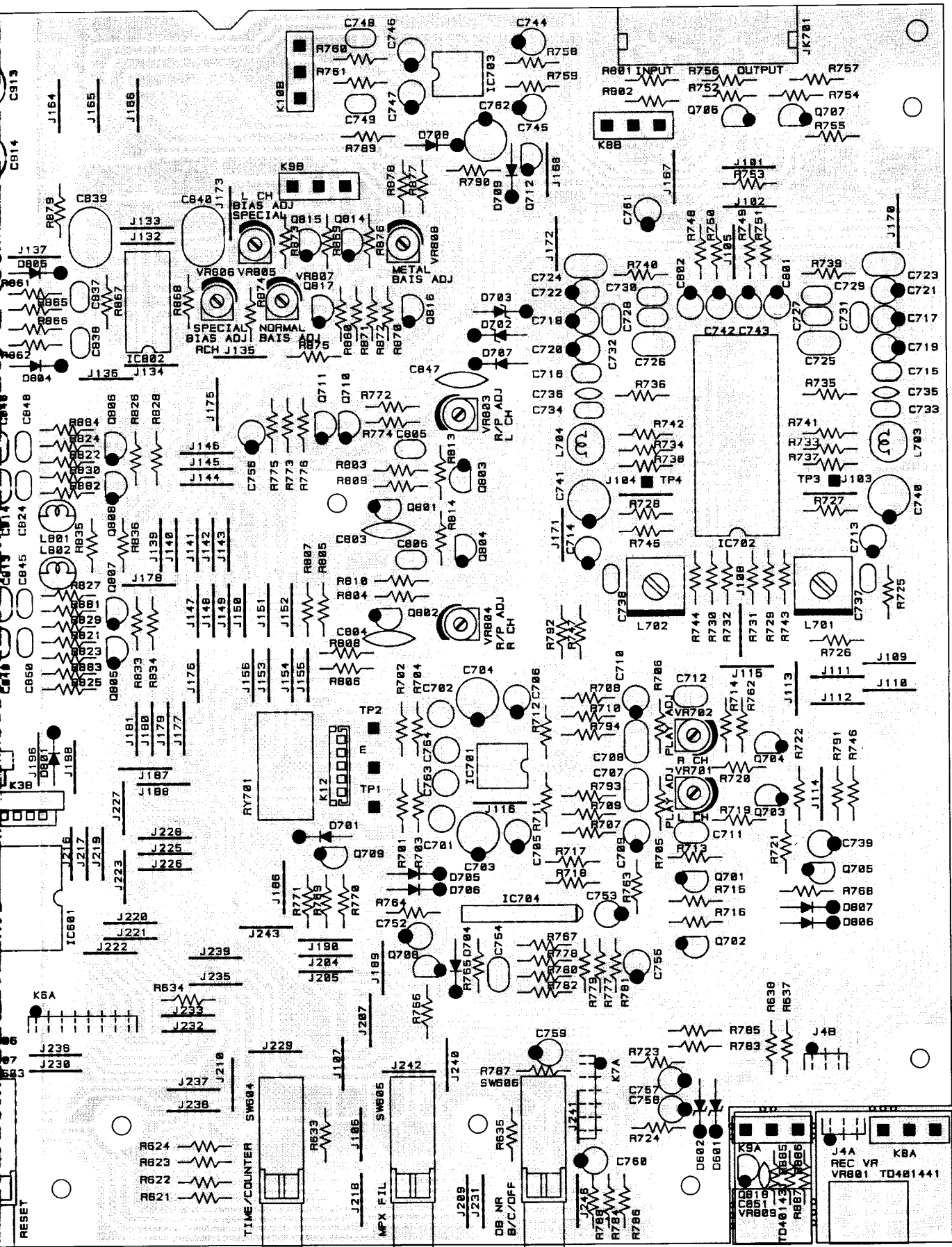
SYMBOL	PARTS NO.	DESCRIPTION
L703, 704	LM00000449	MICRO INDUCTOR 19MH TRL-350
L801, 802	LM00000371	MICRO INDUCTOR TRL-324
L803	LC23670006	COIL, OSC TRL-367
L804, 805	LC31260004	COIL, HXPRO RLV126A00T
L806, 807	LM00000012	MICRO INDUCTOR TRL-237
L808, 809	LC31040107	COIL TRAP RLV104A00T
X601	DD60000374	CRYSTAL OSC 4.194304MHz
D601, 602	DD20000107	DIODE RD-3.6E
D603	DD20000508	DIODE RD7.5JS-T1
D604	DD20000260	ZENER DIODE RD-4.3E
D605-609	DD80000010	DIODE IN4003-TB
D610	DD80000021	DIODE IN4148-86
D613	DD20000491	DIODE RD-6.8JS-T1
D701	DD80000021	DIODE IN4148-86
D702, 703	DD20000466	DIODE RD5.1JS-T1
D704-709	DD80000021	DIODE IN4148-86
D801-807	DD80000021	DIODE IN4148-86
D901, 902	DD80000010	DIODE IN4003-TB
D903-910	DD80000010	DIODE IN4003-TB
D911	DD20000570	DIODE RD15JS-T1
D912	DD20000466	DIODE RD5.1JS-T1
D913	DD20000624	DIODE RD24JS-T1
Q601-605	TR31000034	TRANSISTOR 2SC536G-NP-AA
Q606	TR11000015	TRANSISTOR 2SA608KF
Q607	TR11000015	TRANSISTOR 2SA608KF
Q608	TR31000034	TRANSISTOR 2SC536G-NP-AA
Q701, 702	TR31000034	TRANSISTOR 2SC536G-NP-AA
Q703, 704	TR31000149	TRANSISTOR 2SC2878-A/B
Q705	TR31000034	TRANSISTOR 2SC536G-NP-AA
Q706, 707	TR31000149	TRANSISTOR 2SC2878-A/B
Q708, 709	TR31000034	TRANSISTOR 2SC536G-NP-AA
Q710	TR11000015	TRANSISTOR 2SA608KF
Q711, 712	TR11000015	TRANSISTOR 2SA608KF
Q801-811	TR31000034	TRANSISTOR 2SC536G-NP-AA
Q812	TR41000011	TRANSISTOR 2SD863E/F-A/-E
Q813	TR11000015	TRANSISTOR 2SA608KF/KG-NP-AA
Q814-816	TR31000034	TRANSISTOR ASC536G-NP-AA
Q817	TR11000015	TRANSISTOR 2SA608KF/KG-NP-AA
Q901	TR31000071	TRANSISTOR 2SC2274E/F-AA
Q902	TR40000069	TRANSISTOR 2SD600KE/KF
IC601	IC00003331	IC RD75104CW-01-A17
IC604	IC00002491	IC TA7291P
IC701	IC00001693	IC NE5532AN
IC702	IC00001980	IC CX20187
IC703	IC00001474	IC NJM4556D
IC704	IC00001085	IC TA7341P
IC801	IC00001693	IC NE5532AN
IC802	IC00002545	IC BA10324
IC803	IC00002235	IC TL-072CP
IC901	IC00001991	IC NJM79M12
IC902	IC00000974	IC NJM78M12
IC903	IC00001930	IC NJM7812
IC904	IC00000615	IC NJM78M05
SW601-604	SH11000392	1 KEY PUSH SW 4TR-2820
SW605	SH11000380	1 KEY PUSH SW 4TR-2819
SW606	SH11000392	1 KEY PUSH SW 4TR-2820
	TD401421	PCB ASSEMBLY
JK702	JH00000147	HEAD PHONE JACK C-3921#3
	TD401431	PCB ASSEMBLY
R885	RM51502817	R, METAL 15K 1/4W F
R886	RM52212811	R, METAL 22.1K 1/4W F
Q818	TR31000034	TRANSISTOR 2SC536G-NP-AA
R887	RM51211811	R, METAL 1.21K 1/4W F
VR809	RC10001590	R, CARIABLE 4TR-2822 10KB

SYMBOL	PARTS NO.	DESCRIPTION
	TD401441	PCB ASSEMBLY
VR801	RV10001607	R, VARIABLE 4TR-2709A 50KAx2
	TD402211	PCB ASSEMBLY
R501	RM51009815	R, METAL 10 1/4W F
R502, 503	RM52740815	R, METAL 274 1/4W F
R504	RM54750812	R, METAL 475 1/4W F
R505-507	RM52740815	R, METAL 274 1/4W F
R508-513	RM51002810	R, METAL 10K 1/4W F
FL501	DD40000988	FL TUBE F1P48AMW9Y Δ
D502	DD40001180	LED SEL1323G
D503	DD40000101	LED SEL1324G
D504	DD40000095	LED SEL1124R
D505	DD40000101	LED SEL1324G
D506, 507	DD40001180	LED SEL1323G
IC500	IC00002030	IC RECEIVER SBX1610-02
SW501-506	SH60000240	KEY BOARD SW 4TR-2343
	TD402221	PCB ASSEMBLY
R521, 522	RM52741819	R, METAL 2.74 1/4W F
IC501, 502	IC00002053	IC BA6146
IC503, 504	IC00002041	IC LB1290
	TB-128-A	
C001	CK00000035	SPARK KILLER DE7150F472M Δ
S001	SH40000120	POWER SW C-3600B-T Δ
	OTHERS	
	AB00000640	BOTTOM BOARD 4TQN-12C#2
	AF40000320	FRONT CHASSIS 2TQK-3#3
	AR40000304	PRINTED REAR CHASSIS TRP-666
	AS01000294	SIDE CHASSIS 3TQL-1
	DC00000773	CASSETTE DECK ASS'Y CMAY5Z357A
	BC00000325	CYLINDER BUSH 4TR-2186#1 6Fx25H
	BC00000684	CYLINDER BUSH 4TR-2187#9 6Fx31.4H
	FT00000229	PLASTIC FOOT 4TSH-19#2 50Fx14H
	SB00000674	P.V.C SHIELD PLATE 3TQK-7
	SC00000027	AC CORD STOPPER SR-4N-4 Δ
	SG00000444	SPONGE 4TR-1556
	SP10006442	EJECT SUPPORT 4TQK-10
	SR00001163	P.V.C SPACER 4TR-2882
	CD00000218	AC CORD SPT-2 AWG#18 4TR-670#4 C,U,A,J Δ
	CD00000048	AC POWER CORD 4TR-1037 H,E,Y,S1 Δ
	CD00000528	AC CORD H03VVH2-F 4TR-3083 K1 Δ
	CD00000322	AC POWER CORD OKA 4TR-2757 D Δ
	CD00000115	AC POWER CORD C-3763-T G1 Δ
	NP00001949	AC 120V 4TR-2828A#1 TNP-382 U,C
	NP00002012	AC 100V 4TR-2828A#6 TNP-391 J
	NP00002140	AC 240V 4TR-2828A#11 TNP-398
	PT28510101	POWER TRANSFORMER TT-285-NF Δ
	AA40000469	FRONT PANEL 2TQK-1#4 TFP-734
	AW00000540	PANEL WINDOW 4TQK-6#1
	AW00000551	ACRYLIC DOOR PLATE 2TQK-17
	BU00001145	POWER RING W/LED 4TQF-13 14x14

SYMBOL	PARTS NO.	DESCRIPTION
	BU00001157	PUSH BUTTON RING 4TQF-14 5x10
	BU00001169	KNOB RING 4TQF-17 39F
	BU00001200	EJECT BUTTON RING 4TQK-16
	BU00001212	PUSH BUTTON RING PR-09AA00T 5x20
	KB20002681	POWER BUTTON 4TQF-15 14x14
	KB20002693	PUSH BUTTON 4TQF-16 5x10
	KB20002711	TACT BUTTON 6 KEY 3TQK-8
	KB20002759	PUSH BUTTON PR4-13A00T 5x20
	OM10001284	ORNAMENTAL SIDE BOARD 4TR-2797#3
	OM10001326	ALUMIN. DOOR 4TQK-5 TRP-637
	OM10001831	FL ORNAMENTAL PLATE 4TPJ-1
	DD40000095	L.E.D SEL1124R
	OM70000065	PUSH BUTTON CONNECTOR 4TTL-15
	OM70000170	FILTER BOARD 4TSJ-9#1
	SN00000179	BUTTON SPRING 4TR-1988A#2 10F
	AG00000470	REMOTE CONTROL HANDSET RR-926
	AU00001249	TOP COVER POLY 3TUV-6#8
	KB10001722	KNOB 4TQF-18 13F
	KB10001746	KNOB 4TQF-20 33F (WR)
	KB10001758	KNOB 4TQF-21 33F (WF)
	KB20002735	EJECT BUTTON 4TQK-18
	FE00000067	FELT 4TR-1083B#1 22F
	FE00000079	FELT 4TR-1083B#3 46F
	SE00000266	BATTERY NON M.I.T UM-4 1.5V
	SP10006557	EJECT CONNECTOR 4TQK-21
	SR00000882	UPPER COVER SPACER 4TR-2418
	PL00001075	STYROL SIDE MOULDING 3TTW-14#2 TZ-172-1

Printed Circuit Boards





C913
C814
C815
C816
C817
C818
C819
C820
C821
C822
C823
C824
C825
C826
C827
C828
C829
C830
C831
C832
C833
C834
C835
C836
C837
C838
C839
C840
C841
C842
C843
C844
C845
C846
C847
C848
C849
C850
C851
C852
C853
C854
C855
C856
C857
C858
C859
C860
C861
C862
C863
C864
C865
C866
C867
C868
C869
C870
C871
C872
C873
C874
C875
C876
C877
C878
C879
C880
C881
C882
C883
C884
C885
C886
C887
C888
C889
C890
C891
C892
C893
C894
C895
C896
C897
C898
C899
C900
C901
C902
C903
C904
C905
C906
C907
C908
C909
C910
C911
C912
C913
C914
C915
C916
C917
C918
C919
C920
C921
C922
C923
C924
C925
C926
C927
C928
C929
C930
C931
C932
C933
C934
C935
C936
C937
C938
C939
C940
C941
C942
C943
C944
C945
C946
C947
C948
C949
C950
C951
C952
C953
C954
C955
C956
C957
C958
C959
C960
C961
C962
C963
C964
C965
C966
C967
C968
C969
C970
C971
C972
C973
C974
C975
C976
C977
C978
C979
C980
C981
C982
C983
C984
C985
C986
C987
C988
C989
C990
C991
C992
C993
C994
C995
C996
C997
C998
C999
C1000

J100
J101
J102
J103
J104
J105
J106
J107
J108
J109
J110
J111
J112
J113
J114
J115
J116
J117
J118
J119
J120
J121
J122
J123
J124
J125
J126
J127
J128
J129
J130
J131
J132
J133
J134
J135
J136
J137
J138
J139
J140
J141
J142
J143
J144
J145
J146
J147
J148
J149
J150
J151
J152
J153
J154
J155
J156
J157
J158
J159
J160
J161
J162
J163
J164
J165
J166
J167
J168
J169
J170
J171
J172
J173
J174
J175
J176
J177
J178
J179
J180
J181
J182
J183
J184
J185
J186
J187
J188
J189
J190
J191
J192
J193
J194
J195
J196
J197
J198
J199
J200

R700
R701
R702
R703
R704
R705
R706
R707
R708
R709
R710
R711
R712
R713
R714
R715
R716
R717
R718
R719
R720
R721
R722
R723
R724
R725
R726
R727
R728
R729
R730
R731
R732
R733
R734
R735
R736
R737
R738
R739
R740
R741
R742
R743
R744
R745
R746
R747
R748
R749
R750
R751
R752
R753
R754
R755
R756
R757
R758
R759
R760
R761
R762
R763
R764
R765
R766
R767
R768
R769
R770
R771
R772
R773
R774
R775
R776
R777
R778
R779
R780
R781
R782
R783
R784
R785
R786
R787
R788
R789
R790
R791
R792
R793
R794
R795
R796
R797
R798
R799

C700
C701
C702
C703
C704
C705
C706
C707
C708
C709
C710
C711
C712
C713
C714
C715
C716
C717
C718
C719
C720
C721
C722
C723
C724
C725
C726
C727
C728
C729
C730
C731
C732
C733
C734
C735
C736
C737
C738
C739
C740
C741
C742
C743
C744
C745
C746
C747
C748
C749
C750
C751
C752
C753
C754
C755
C756
C757
C758
C759
C760
C761
C762
C763
C764
C765
C766
C767
C768
C769
C770
C771
C772
C773
C774
C775
C776
C777
C778
C779
C780
C781
C782
C783
C784
C785
C786
C787
C788
C789
C790
C791
C792
C793
C794
C795
C796
C797
C798
C799

Q700
Q701
Q702
Q703
Q704
Q705
Q706
Q707
Q708
Q709
Q710
Q711
Q712
Q713
Q714
Q715
Q716
Q717
Q718
Q719
Q720
Q721
Q722
Q723
Q724
Q725
Q726
Q727
Q728
Q729
Q730
Q731
Q732
Q733
Q734
Q735
Q736
Q737
Q738
Q739
Q740
Q741
Q742
Q743
Q744
Q745
Q746
Q747
Q748
Q749
Q750
Q751
Q752
Q753
Q754
Q755
Q756
Q757
Q758
Q759
Q760
Q761
Q762
Q763
Q764
Q765
Q766
Q767
Q768
Q769
Q770
Q771
Q772
Q773
Q774
Q775
Q776
Q777
Q778
Q779
Q780
Q781
Q782
Q783
Q784
Q785
Q786
Q787
Q788
Q789
Q790
Q791
Q792
Q793
Q794
Q795
Q796
Q797
Q798
Q799

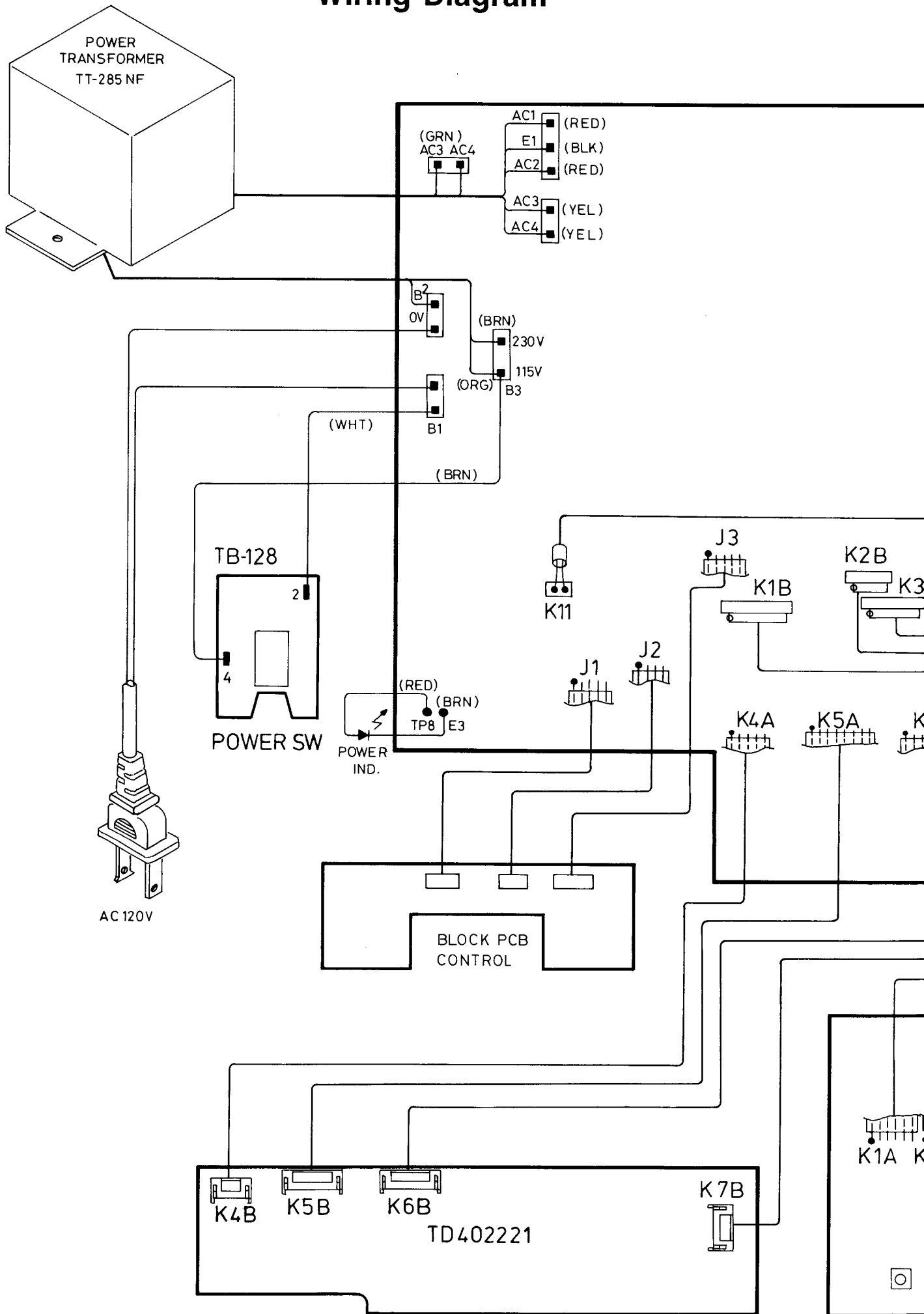
VR700
VR701
VR702
VR703
VR704
VR705
VR706
VR707
VR708
VR709
VR710
VR711
VR712
VR713
VR714
VR715
VR716
VR717
VR718
VR719
VR720
VR721
VR722
VR723
VR724
VR725
VR726
VR727
VR728
VR729
VR730
VR731
VR732
VR733
VR734
VR735
VR736
VR737
VR738
VR739
VR740
VR741
VR742
VR743
VR744
VR745
VR746
VR747
VR748
VR749
VR750
VR751
VR752
VR753
VR754
VR755
VR756
VR757
VR758
VR759
VR760
VR761
VR762
VR763
VR764
VR765
VR766
VR767
VR768
VR769
VR770
VR771
VR772
VR773
VR774
VR775
VR776
VR777
VR778
VR779
VR780
VR781
VR782
VR783
VR784
VR785
VR786
VR787
VR788
VR789
VR790
VR791
VR792
VR793
VR794
VR795
VR796
VR797
VR798
VR799

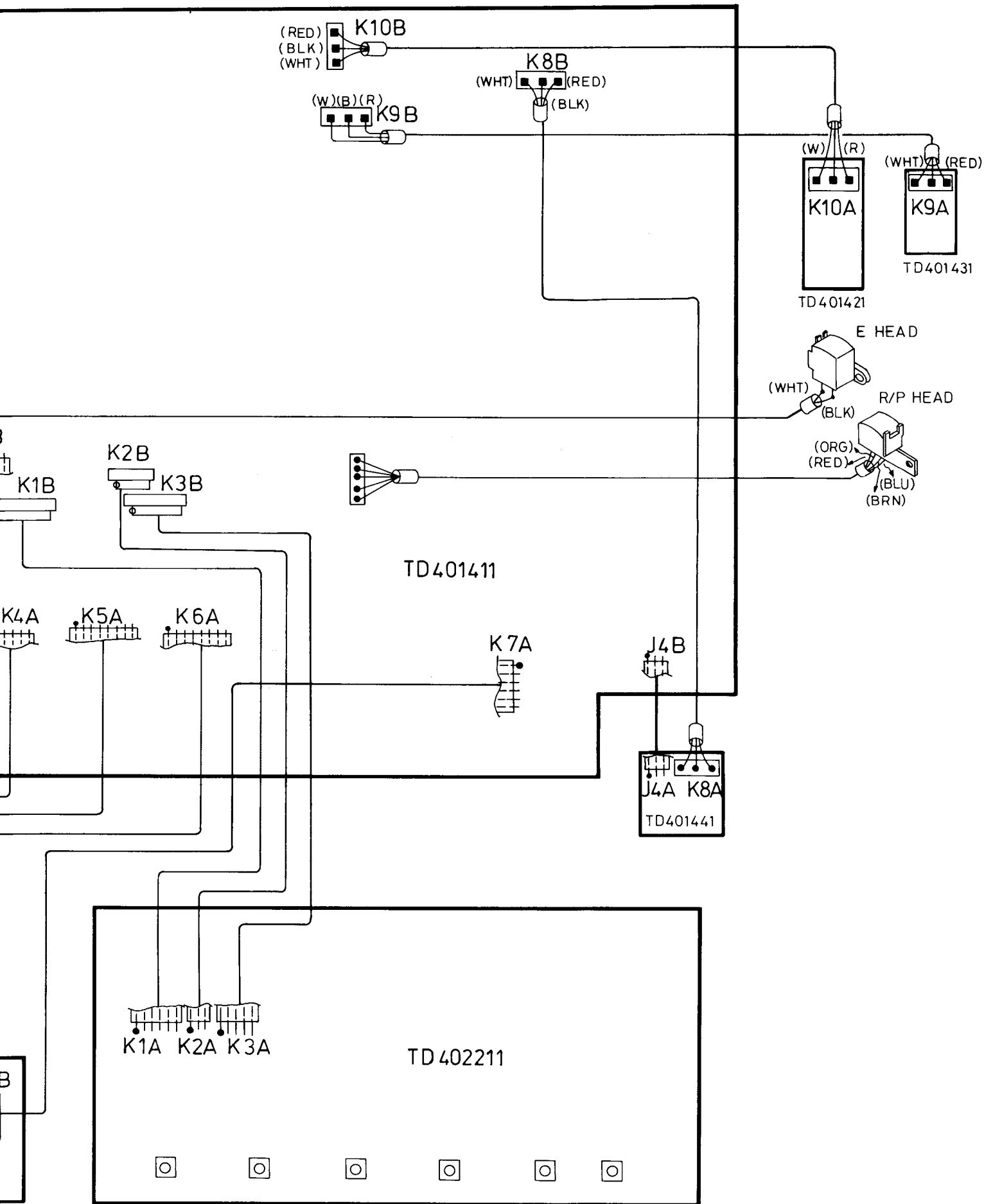
IC700
IC701
IC702
IC703
IC704
IC705
IC706
IC707
IC708
IC709
IC710
IC711
IC712
IC713
IC714
IC715
IC716
IC717
IC718
IC719
IC720
IC721
IC722
IC723
IC724
IC725
IC726
IC727
IC728
IC729
IC730
IC731
IC732
IC733
IC734
IC735
IC736
IC737
IC738
IC739
IC740
IC741
IC742
IC743
IC744
IC745
IC746
IC747
IC748
IC749
IC750
IC751
IC752
IC753
IC754
IC755
IC756
IC757
IC758
IC759
IC760
IC761
IC762
IC763
IC764
IC765
IC766
IC767
IC768
IC769
IC770
IC771
IC772
IC773
IC774
IC775
IC776
IC777
IC778
IC779
IC780
IC781
IC782
IC783
IC784
IC785
IC786
IC787
IC788
IC789
IC790
IC791
IC792
IC793
IC794
IC795
IC796
IC797
IC798
IC799

SW600
SW601
SW602
SW603
SW604
SW605
SW606
SW607
SW608
SW609
SW610
SW611
SW612
SW613
SW614
SW615
SW616
SW617
SW618
SW619
SW620
SW621
SW622
SW623
SW624
SW625
SW626
SW627
SW628
SW629
SW630
SW631
SW632
SW633
SW634
SW635
SW636
SW637
SW638
SW639
SW640
SW641
SW642
SW643
SW644
SW645
SW646
SW647
SW648
SW649
SW650
SW651
SW652
SW653
SW654
SW655
SW656
SW657
SW658
SW659
SW660
SW661
SW662
SW663
SW664
SW665
SW666
SW667
SW668
SW669
SW670
SW671
SW672
SW673
SW674
SW675
SW676
SW677
SW678
SW679
SW680
SW681
SW682
SW683
SW684
SW685
SW686
SW687
SW688
SW689
SW690
SW691
SW692
SW693
SW694
SW695
SW696
SW697
SW698
SW699

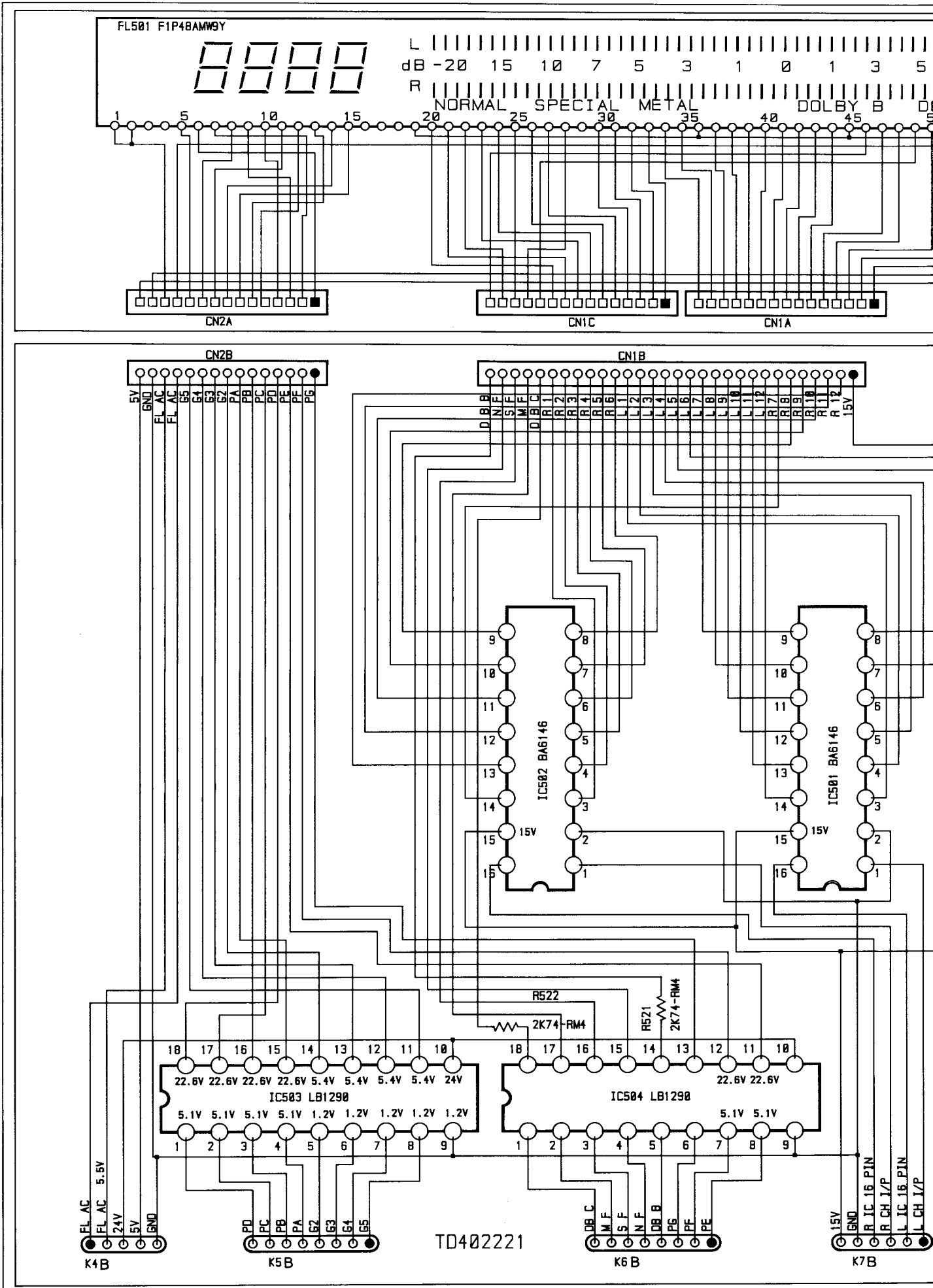
K8A
K8B
K8C
K8D
K8E
K8F
K8G
K8H
K8I
K8J
K8K
K8L
K8M
K8N
K8O
K8P
K8Q
K8R
K8S
K8T
K8U
K8V
K8W
K8X
K8Y
K8Z
K8AA
K8AB
K8AC
K8AD
K8AE
K8AF
K8AG
K8AH
K8AI
K8AJ
K8AK
K8AL
K8AM
K8AN
K8AO
K8AP
K8AQ
K8AR
K8AS
K8AT
K8AU
K8AV
K8AW
K8AX
K8AY
K8AZ
K8BA
K8BB
K8BC
K8BD
K8BE
K8BF
K8BG
K8BH
K8BI
K8BJ
K8BK
K8BL
K8BM
K8BN
K8BO
K8BP
K8BQ
K8BR
K8BS
K8BT
K8BU
K8BV
K8BW
K8BX
K8BY
K8BZ
K8CA
K8CB
K8CC
K8CD
K8CE
K8CF
K8CG
K8CH
K8CI
K8CJ
K8CK
K8CL
K8CM
K8CN
K8CO
K8CP
K8CQ
K8CR
K8CS
K8CT
K8CU
K8CV
K8CW
K8CX
K8CY
K8CZ
K8DA
K8DB
K8DC
K8DD
K8DE
K8DF
K8DG
K8DH
K8DI
K8DJ
K8DK
K8DL
K8DM
K8DN
K8DO
K8DP
K8DQ
K8DR
K8DS
K8DT
K8DU
K8DV
K8DW
K8DX
K8DY
K8DZ
K8EA
K8EB
K8EC
K8ED
K8EE
K8EF
K8EG
K8EH
K8EI
K8EJ
K8EK
K8EL
K8EM
K8EN
K8EO
K8EP
K8EQ
K8ER
K8ES
K8ET
K8EU
K8EV
K8EW
K8EX
K8EY
K8EZ
K8FA
K8FB
K8FC
K8FD
K8FE
K8FF
K8FG
K8FH
K8FI
K8FJ
K8FK
K8FL
K8FM
K8FN
K8FO
K8FP
K8FQ
K8FR
K8FS
K8FT
K8FU
K8FV
K8FW
K8FX
K8FY
K8FZ
K8GA
K8GB
K8GC
K8GD
K8GE
K8GF
K8GG
K8GH
K8GI
K8GJ
K8GK
K8GL
K8GM
K8GN
K8GO
K8GP
K8GQ
K8GR
K8GS
K8GT
K8GU
K8GV
K8GW
K8GX
K8GY
K8GZ
K8HA
K8HB
K8HC
K8HD
K8HE
K8HF
K8HG
K8HH
K8HI
K8HJ
K8HK
K8HL
K8HM
K8HN
K8HO
K8HP
K8HQ
K8HR
K8HS
K8HT
K8HU
K8HV
K8HW
K8HX
K8HY
K8HZ
K8IA
K8IB
K8IC
K8ID
K8IE
K8IF
K8IG
K8IH
K8IJ
K8IK
K8IL
K8IM
K8IN
K8IO
K8IP
K8IQ
K8IR
K8IS
K8IT
K8IU
K8IV
K8IW
K8IX
K8IY
K8IZ
K8JA
K8JB
K8JC
K8JD
K8JE
K8JF
K8JG
K8JH
K8JI
K8JJ
K8JK
K8JL
K8JM
K8JN
K8JO
K8JP
K8JQ
K8JR
K8JS
K8JT
K8JU
K8JV
K8JW
K8JX
K8JY
K8JZ
K8KA
K8KB
K8KC
K8KD
K8KE
K8KF
K8KG
K8KH
K8KI
K8KJ
K8KK
K8KL
K8KM
K8KN
K8KO
K8KP
K8KQ
K8KR
K8KS
K8KT
K8KU
K8KV
K8KW
K8KX
K8KY
K8KZ
K8LA
K8LB
K8LC
K8LD
K8LE
K8LF
K8LG
K8LH
K8LI
K8LJ
K8LK
K8LL
K8LM
K8LN
K8LO
K8LP
K8LQ
K8LR
K8LS
K8LT
K8LU
K8LV
K8LW
K8LX
K8LY
K8LZ
K8MA
K8MB
K8MC
K8MD
K8ME
K8MF
K8MG
K8MH
K8MI
K8MJ
K8MK
K8ML
K8MN
K8MO
K8MP
K8MQ
K8MR
K8MS
K8MT
K8MU
K8MV
K8MW
K8MX
K8MY
K8MZ
K8NA
K8NB
K8NC
K8ND
K8NE
K8NF
K8NG
K8NH
K8NI
K8NJ
K8NK
K8NL
K8NM
K8NO
K8NP
K8NQ
K8NR
K8NS
K8NT
K8NU
K8NV
K8NW
K8NX
K8NY
K8NZ
K8OA
K8OB
K8OC
K8OD
K8OE
K8OF
K8OG
K8OH
K8OI
K8OJ
K8OK
K8OL
K8OM
K8ON
K8OO
K8OP
K8OQ
K8OR
K8OS
K8OT
K8OU
K8OV
K8OW
K8OX
K8OY
K8OZ
K8PA
K8PB
K8PC
K8PD
K8PE
K8PF
K8PG
K8PH
K8PI
K8PJ
K8PK
K8PL
K8PM
K8PN
K8PO
K8PP
K8PQ
K8PR
K8PS
K8PT
K8PU
K8PV
K8PW
K8PX
K8PY
K8PZ
K8QA
K8QB
K8QC
K8QD
K8QE
K8QF
K8QG
K8QH
K8QI
K8QJ
K8QK
K8QL
K8QM
K8QN
K8QO
K8QP
K8QQ
K8QR
K8QS
K8QT
K8QU
K8QV
K8QW
K8QX
K8QY
K8QZ
K8RA
K8RB
K8RC
K8RD
K8RE
K8RF
K8RG
K8RH
K8RI
K8RJ
K8RK
K8RL
K8RM
K8RN
K8RO
K8RP
K8RQ
K8RR
K8RS
K8RT
K8RU
K8RV
K8RW
K8RX
K8RY
K8RZ
K8SA
K8SB
K8SC
K8SD
K8SE
K8SF
K8SG
K8SH
K8SI
K8SJ
K8SK
K8SL
K8SM
K8SN
K8SO
K8SP
K8SQ
K8SR
K8SS
K8ST
K8SU
K8SV
K8SW
K8SX
K8SY
K8SZ
K8TA
K8TB
K8TC
K8TD
K8TE
K8TF
K8TG
K8TH
K8TI
K8TJ
K8TK
K8TL
K8TM
K8TN
K8TO
K8TP
K8TQ
K8TR
K8TS
K8TT
K8TU
K8TV
K8TW
K8TX
K8TY
K8TZ
K8UA
K8UB
K8UC
K8UD
K8UE
K8UF
K8UG
K8UH
K8UI
K8UJ
K8UK
K8UL
K8UM
K8UN
K8UO
K8UP
K8UQ
K8UR
K8US
K8UT
K8UU
K8UV
K8UW
K8UX
K8UY
K8UZ
K8VA
K8VB
K8VC
K8VD
K8VE
K8VF
K8VG
K8VH
K8VI
K8VJ
K8VK
K8VL
K8VM
K8VN
K8VO
K8VP
K8VQ
K8VR
K8VS
K8VT
K8VU
K8VV
K8VW
K8VX
K8VY
K8VZ
K8WA
K8WB
K8WC
K8WD
K8WE
K8WF
K8WG
K8WH
K8WI
K8WJ
K8WK
K8WL
K8WM
K8WN
K8WO
K8WP
K8WQ
K8WR
K8WS
K8WT
K8WU
K8WV
K8WW
K8WX
K8WY
K8WZ
K8XA
K8XB
K8XC
K8XD
K8XE
K8XF
K8XG
K8XH
K8XI
K8XJ
K8XK
K8XL
K8XM
K8XN
K8XO
K8XP
K8XQ
K8XR
K8XS
K8XT
K8XU
K8XV
K8XW
K8XX
K8XY
K8XZ
K8YA
K8YB
K8YC
K8YD
K8YE
K8YF
K8YG
K8YH
K8YI
K8YJ
K8YK
K8YL
K8YM
K8YN
K8YO
K8YP
K8YQ
K8YR
K8YS
K8YT
K8YU
K8YV
K8YW
K8YX
K8YY
K8YZ
K8ZA
K8ZB
K8ZC
K8ZD
K8ZE
K8ZF
K8ZG
K8ZH
K8ZI
K8ZJ
K8ZK
K8ZL
K8ZM
K8ZN
K8ZO
K8ZP
K8ZQ
K8ZR
K8ZS
K8ZT
K8ZU
K8ZV
K8ZW
K8ZX
K8ZY
K8ZZ

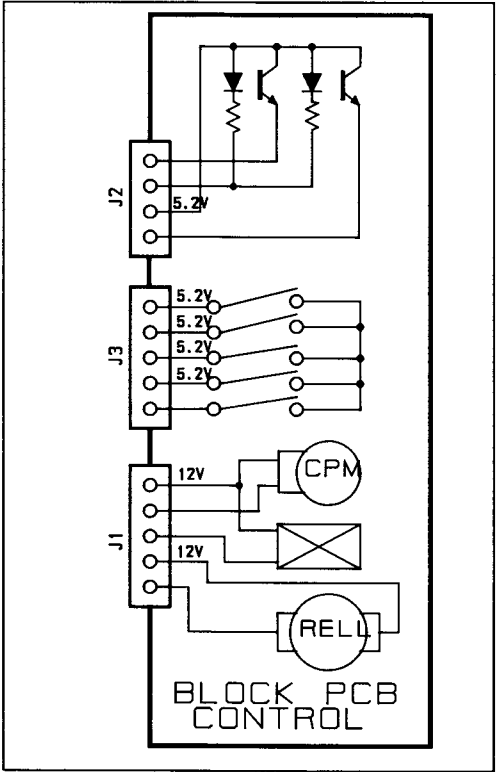
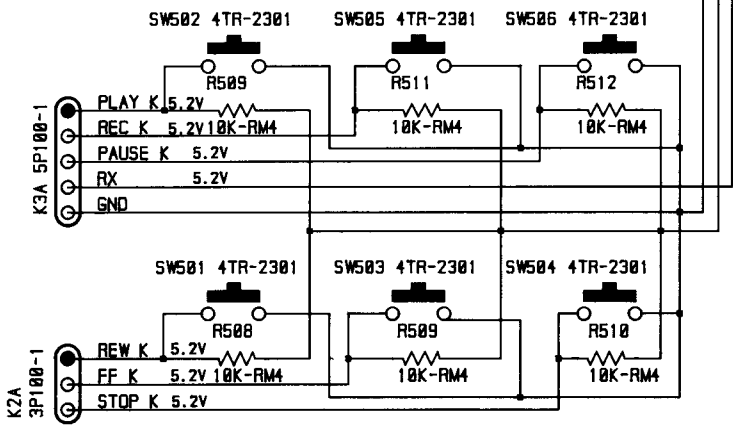
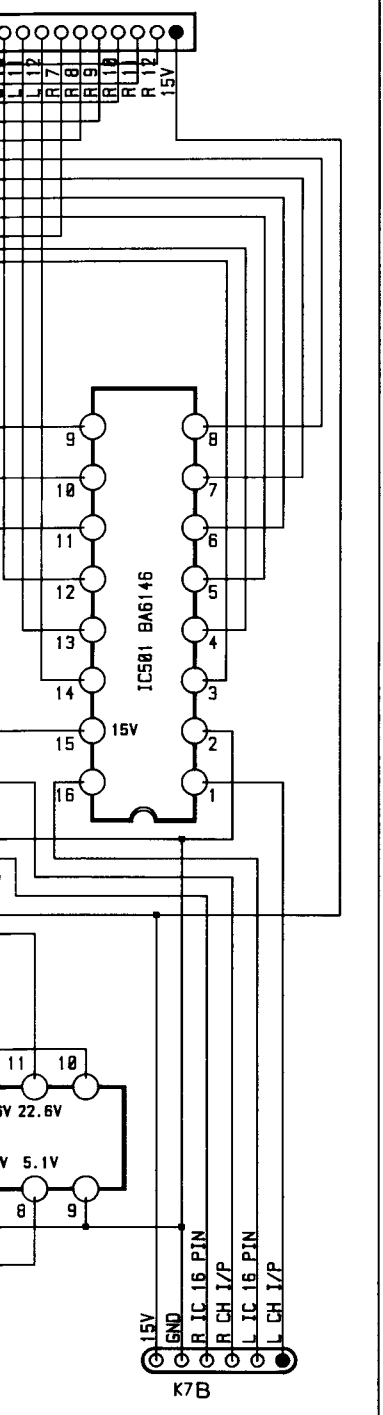
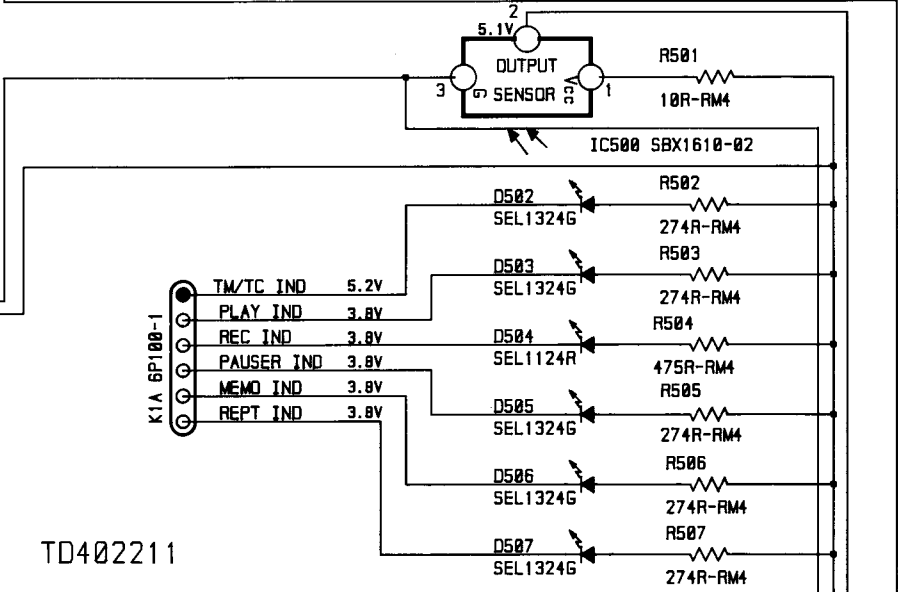
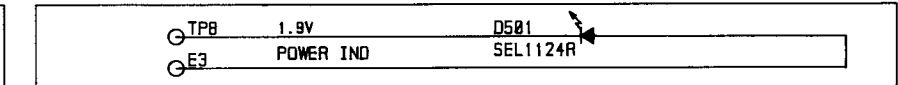
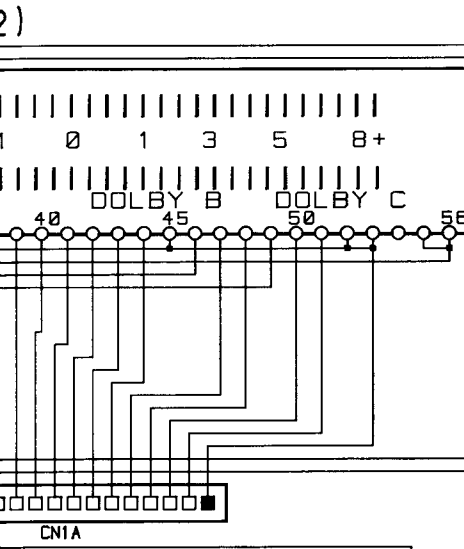
Wiring Diagram



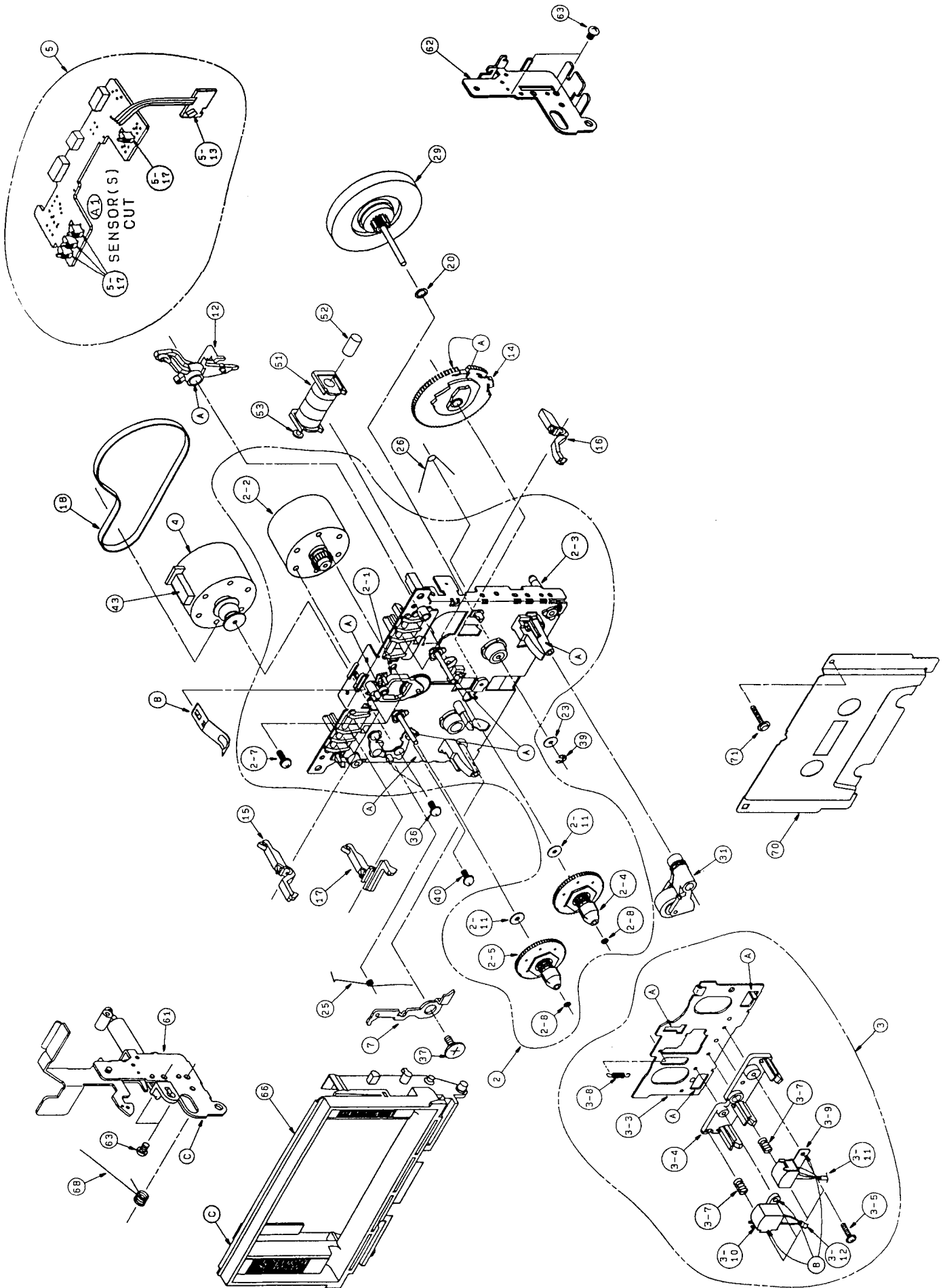


SCHEMATIC DIAGRAM MODEL NO. RD-960BX (2/2)





Disassembly Diagram



DECK MECHANISM PARTS LIST

(RD-960BX)

ITEM	RT PARTS NO.	SPEC. NO.	DESCRIPTION
2	DM90002184	F511-422	BLOCK CHASSIS
2-1	DM90002160	F517-049	BLOCK IDLER
2-2	DM90002081	F564-280	BLOCK MOTOR REEL
2-3	DM90002238	F612-156	BLOCK BASE CHASSIS
2-4	DM90002100	F623-037	BLOCK BASE REEL
2-5	DM90002111	F623-127	BLOCK BASE REEL
2-7		FG156-11A	SCREW 2.6x6.4 ZN
2-8		FJ111-17	WASHER 1.7x0.25
2-11	DM90002240	UJ12V-11	POLYSLIDER 2.1x0.25
3	DM90002251	F513-632	BLOCK PLATE HEAD
3-3	DM90002263	FC52E-46	BASE HEAD
3-4	DM90002275	FD45T-16	SPACER HEAD
3-7	DM90002287	FK21U-11	SPRING AZIMUTH
3-8	DM90002299	FK26N-14	SPRING BASE HEAD
3-9	DM90002445	FU19V-11	R/P HEAD (SS15R-AA4N1)
3-10	DM90002159	FU192-11	E HEAD (HAJAB3024)
3-11	DM90002305	WH51U-04	WIRE CONNECTOR (R/P)
3-12	DM90002317	WH46W-04	WIRE CONNECTOR (E)
4	DM90002093	F525-269	BLOCK MOTOR MAIN
5	DM90002329	F567-255	BLOCK PCB CONTROL
5-13	DM90002172	AW13F-00	SENSOR (SPI-335-34-FG)
5-17	DM90002147	UE16E-11	PUSH SWITCH
7	DM90002330	FC39S-33	ARM INTERLOCK (OW)
8	DM90002342	FC52H-13	SPRING CASSETTE PUSHING
12	DM90002196	FD45G-13	ARM PLAY
14	DM90002007	FD45B-15	GEAR CAM
15	DM90002019	FD44T-14	LEVER (REC SW)
16	DM90002020	FD44Y-12	LEVER (PACK SW)
17	DM90002032	FD44V-12	LEVER (METAL SW)
18	DM90002044	FF17W-31	BELT MAIN
20		FJ111-30	POLYSLIDER 2.6x0.25
23		FJ111-14	POLYSLIDER 2.6x0.5
25	DM90002354	FK28M-16	SPRING INTERLOCK (L)
26	DM90002366	FK28R-11	SPRING SRIDE
29	DM90002056	FR22D-11	ASSY FLYWHEEL
31	DM90002068	FR20L-22	ASSY PINCH ROLLER (R)
36		FG114-14	SCREW 2.6x5 ZN
37		UG15S-11A	SCREW
39		UG13U-15	E-RING
40		UG12H-16	SCREW 3.0x8 ZN
43	DM90002378	FF17C-12	CUSHION HOLD
51	DM90002380	F765-263	BLOCK SOLENOID
52	DM90002391	FL39H-12A	IRON CORE
53	DM90002408	FL39K-12	PLUNGER
61	DM90002410	FC52R-11	BRACKET DAMRER (L)
62	DM90002421	F573-096	PLATE HOLD BLK
63		KG194-28	SCREW 2.6x4 ZN
66	DM90002070	FD29U-11	DOOR FRAME
70	DM90002433	F684-053	BLOCK DRESSING
71		UG12T-11	SCREW

